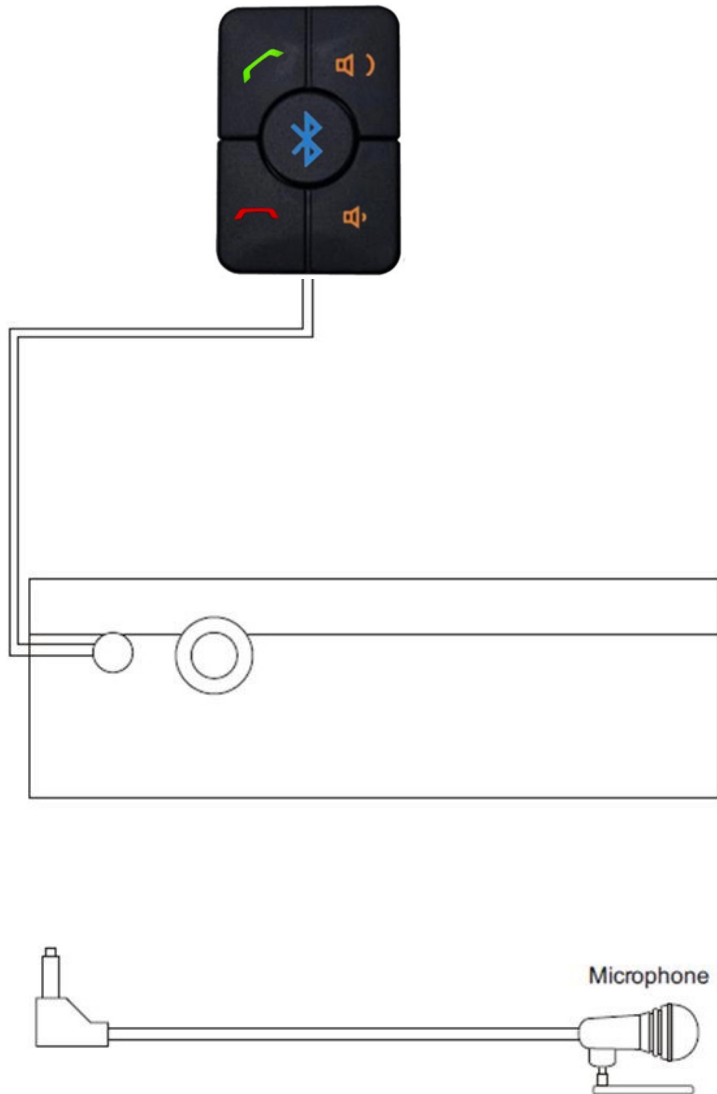
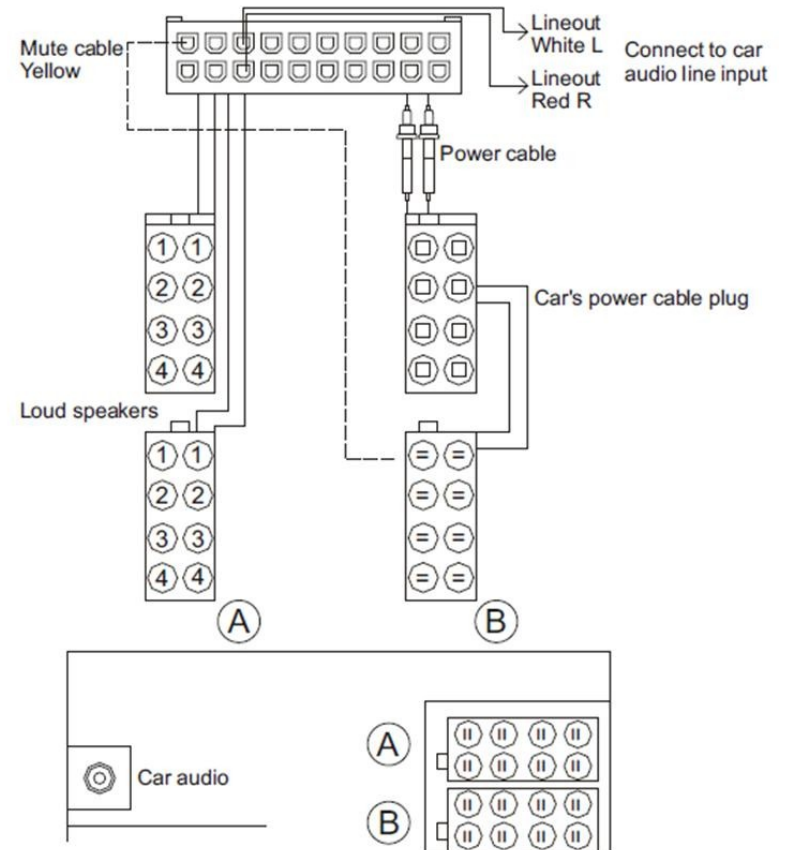


Cable diagram connection :



Electronic control box:



• **CAUTION**

The red wire of the power cable must be connected to the constant 12V supply, the yellow wire connected to the ignition 12V, and the black wire grounded. Check the wiring diagram of the car stereo's ISO power connector plug on some vehicles, the positions of the red and orange wires may need to be reversed, This can easily be done by reversing the fuse holders. Do not connect the orange wire to the constant 12V supply, as it will run up the vehicle's battery.