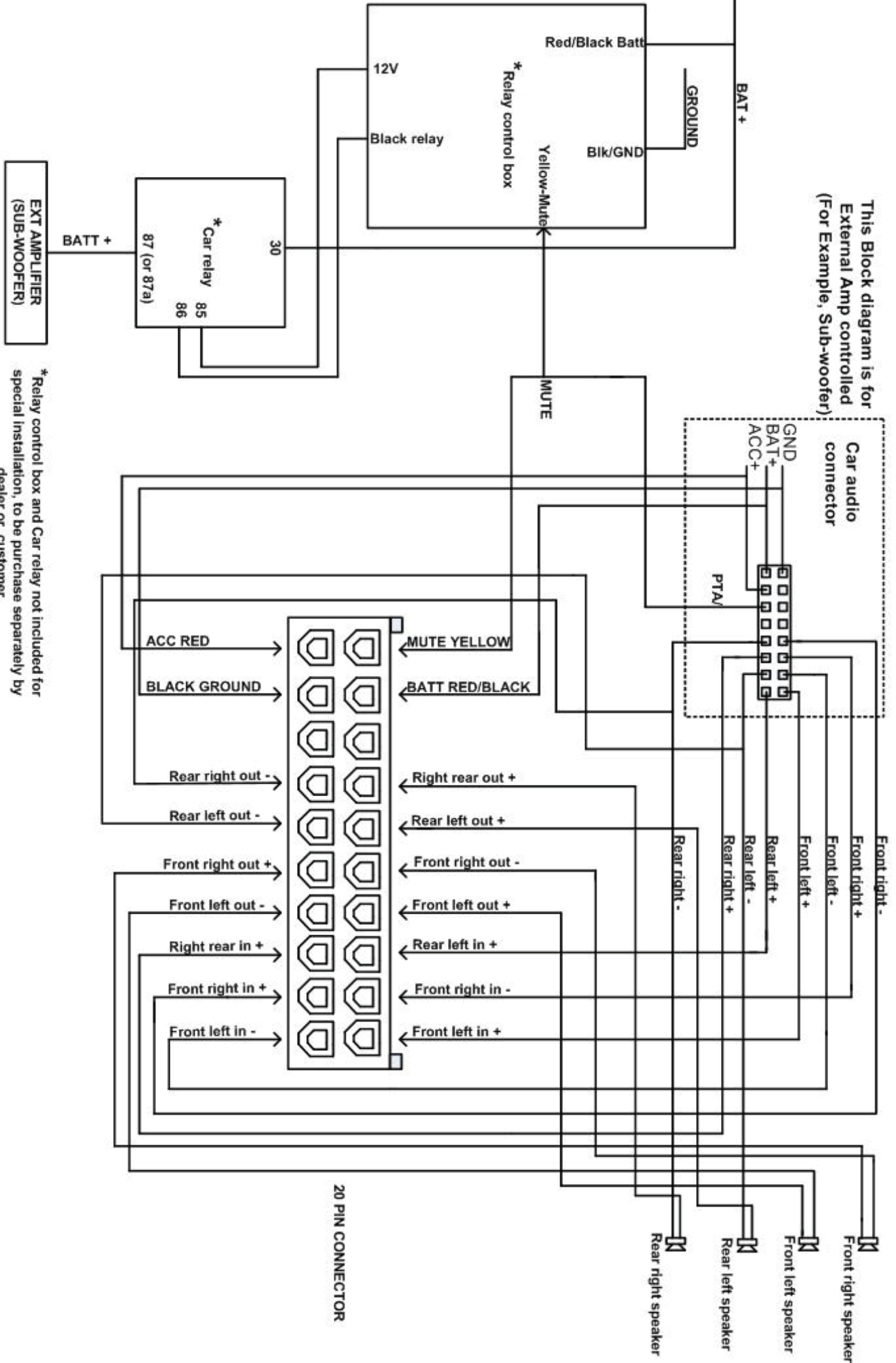


This Block diagram is for External Amp controlled (For Example, Sub-woofer)



\*Relay control box and Car relay not included for special installation, to be purchase separately by dealer or customer

# Got2bWireless Diagram

Hard wire diagram for external Amp, no ISO plug required.

